

StackFET™ with Split Input Capacitors

■ Description

- ▶ Controlled field effect transistors (FETs) clamp the voltage across the power switch
- ▶ The FETs are controlled by multiple capacitors of the input filter, which split the input voltage

■ Benefits

- ▶ Input filter can use capacitors rated for lower voltage
- ▶ Limited voltage can potentially reduce voltage rating of power switch
- ▶ **Could be used with:** high voltage, industrial applications

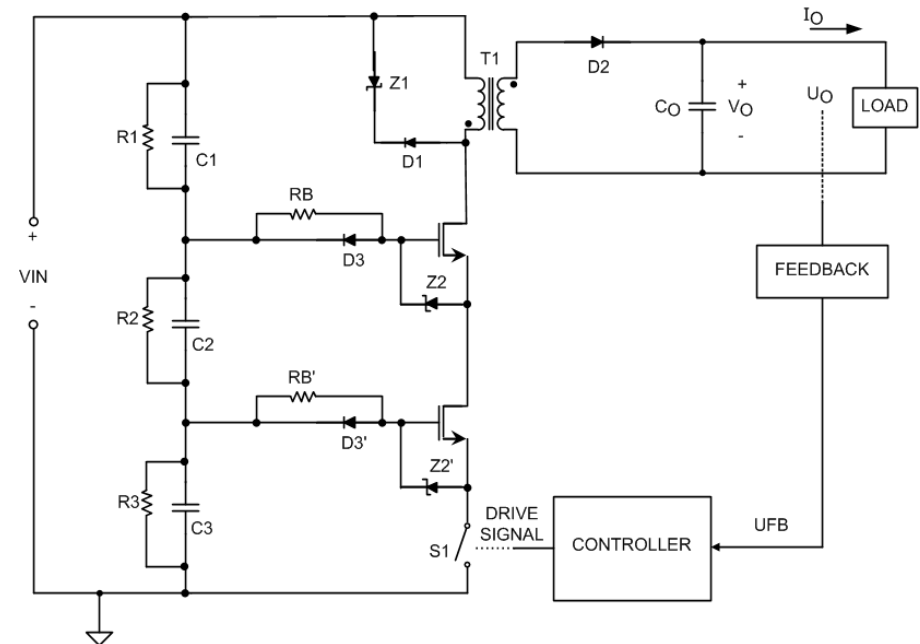


Figure 1. StackFET™ utilizing the input filter and two FETs to reduce voltage on S1